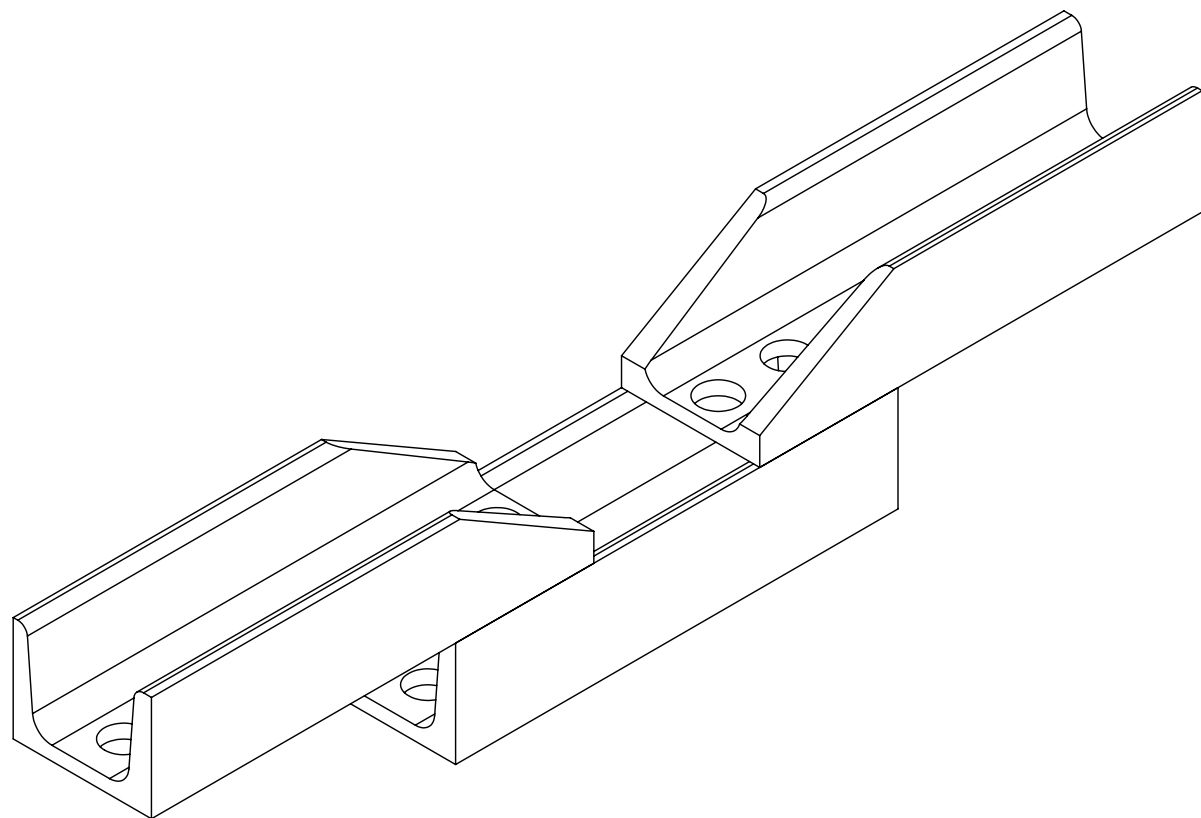
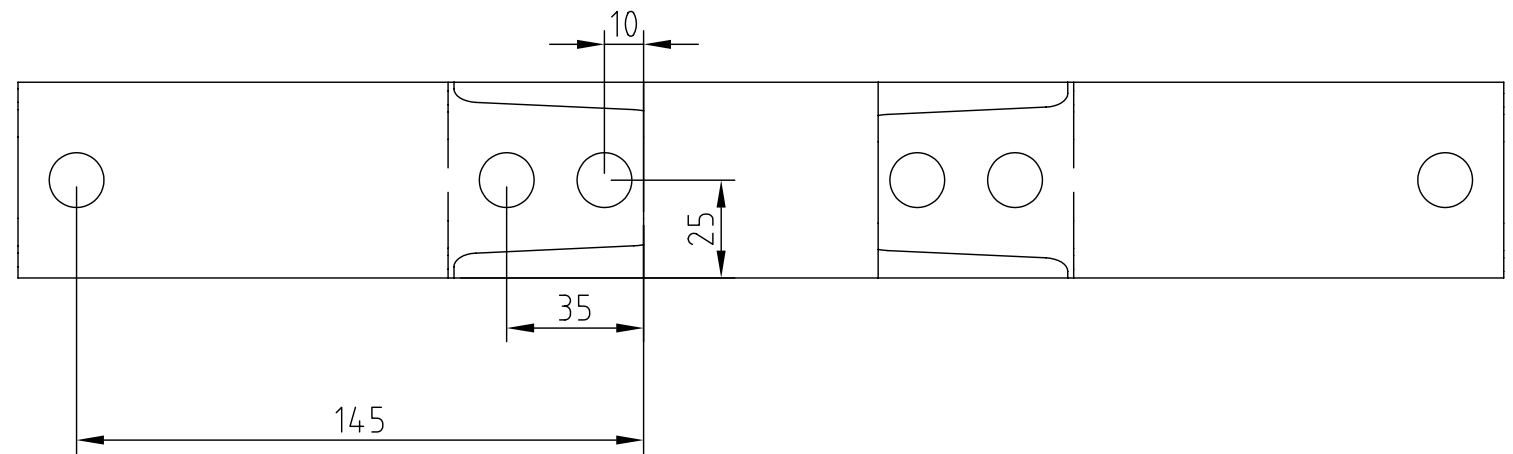
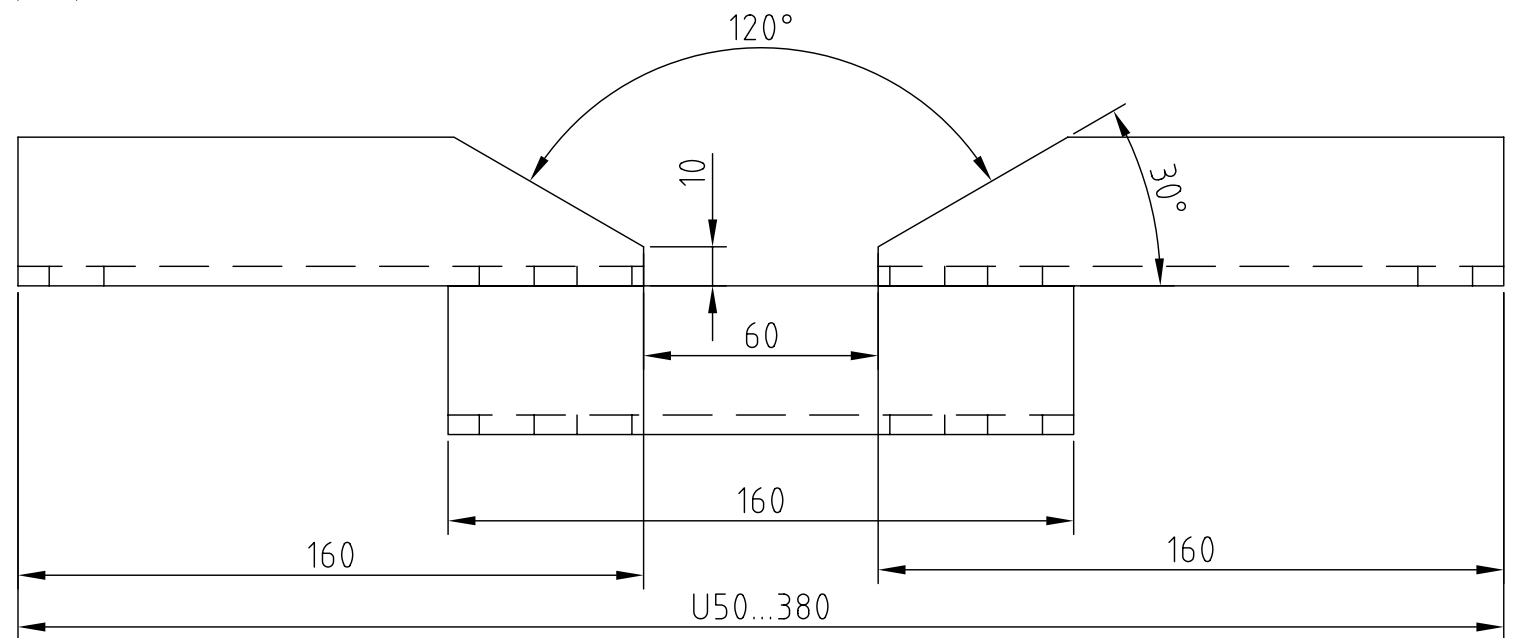
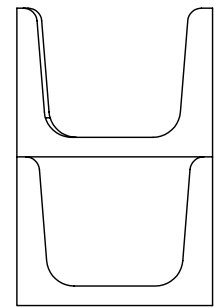
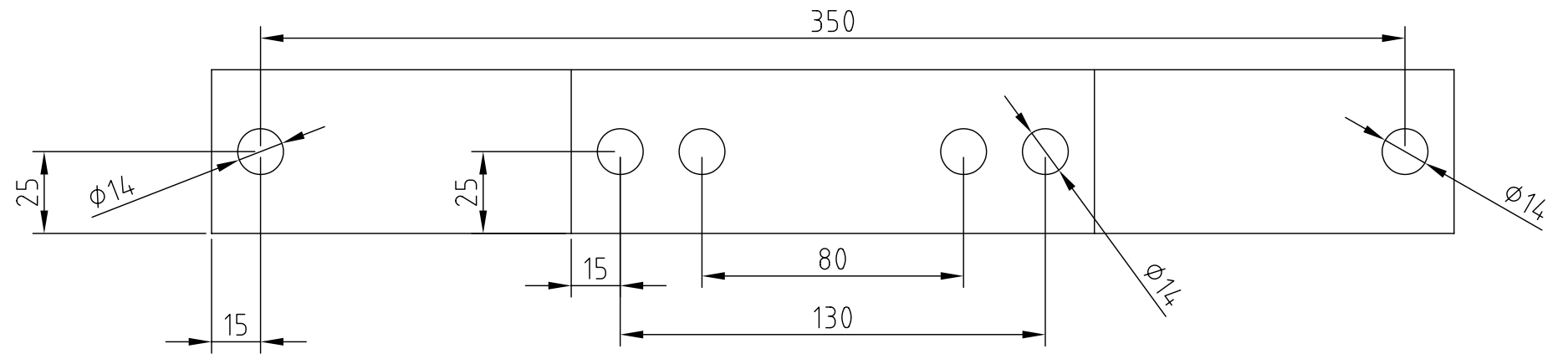


11190



Design		at	Scale	Associated with	Description 1
Drawn		arno	1:2	Tolerance class middle	U50-380-1
Check					Description 2
Approv.					Putkikiinnityspala
Plot Date					Description 3
Mass					Material 1
					Fe37
					Outline size

